

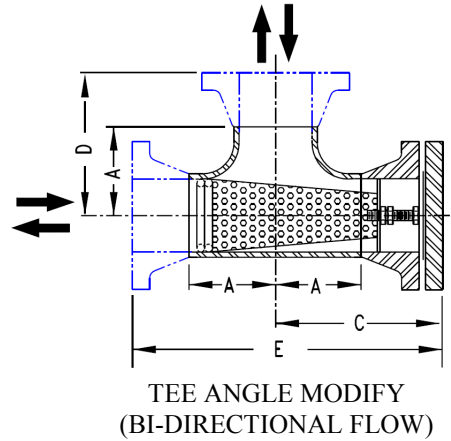
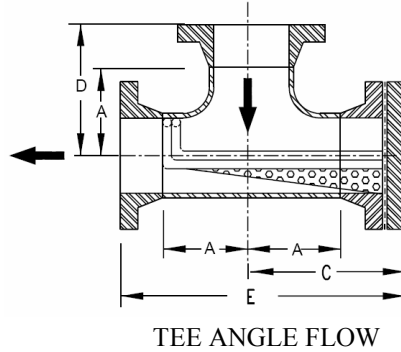
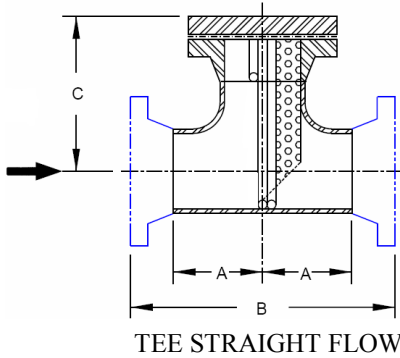
L.R. & Associates Specialty Metals, Inc.

Tel: 713-856-8300 • 6915 Bren Drive, Houston TX.

daniel.perez@att.net • www.lrasm.com

FABRICATED TEE STRAINERS

MODEL 24-TS



DIMENSIONAL DATA

PIPE SIZE	A	B			C			D			E		
		150#	300#	600#	150#	300#	600#	150#	300#	600#	150#	300#	600#
2"	2 1/2"	10 1/4"	10 3/4"	11 1/2"	6"	6 3/8"	7 1/8"	5 1/8"	5 3/8"	5 3/4"	11 1/8"	11 3/4"	12 5/8"
2.5"	3"	11 3/4"	12 1/4"	13"	6 7/8"	7 1/4"	8"	5 7/8"	6 1/8"	6 1/2"	12 3/4"	13 3/8"	14 1/4"
3"	3 3/8"	12 1/2"	13 1/4"	14"	7 5/16"	7 7/8"	8 5/8"	6 1/4"	6 5/8"	7"	13 9/16"	14 1/2"	15 3/8"
4"	4 1/8"	14 1/2"	15 1/4"	17"	8 5/16"	9"	10 1/2"	7 1/4"	7 5/8"	8 1/2"	15 9/16"	16 5/8"	18 5/8"
5"	4 7/8"	17"	17 3/4"	19 1/2"	9 9/16"	10 3/8"	11 7/8"	8 1/2"	8 7/8"	9 3/4"	18 1/16"	19 1/4"	21 3/8"
6"	5 5/8"	18 1/2"	19 1/4"	21 1/4"	10 3/8"	11 3/16"	12 7/8"	9 1/4"	9 5/8"	10 5/8"	19 5/8"	20 13/16"	23 1/4"
8"	7"	22 1/4"	23"	25 1/4"	12 3/8"	13 1/4"	15 3/16"	11 1/8"	11 1/2"	12 5/8"	23 1/2"	24 3/4"	27 9/16"
10"	8 1/2"	25 1/4"	26 1/2"	29 3/4"	13 15/16"	15 1/4"	17 3/4"	12 5/8"	13 1/4"	14 7/8"	26 9/16"	28 1/2"	32 3/8"
12"	10"	29 1/4"	30 1/2"	33"	16"	17 3/8"	19 1/2"	14 5/8"	15 1/4"	16 1/2"	30 5/8"	32 5/8"	35 3/4"
14"	11"	32 1/4"	33 1/2"	35 3/4"	17 5/8"	19"	21"	16 1/8"	16 3/4"	17 7/8"	33 3/4"	35 3/4"	38 5/8"
16"	12"	34 1/4"	35 3/4"	38 3/4"	18 11/16"	20 1/4"	22 3/4"	17 1/8"	17 7/8"	19 3/8"	35 13/16"	38 1/8"	41 7/8"
18"	13 1/2"	38 1/4"	39 3/4"	42 1/4"	20 13/16"	22 3/8"	24 3/4"	19 1/8"	19 7/8"	21 7/8"	39 15/16"	42 1/4"	45 5/8"
20"	15"	41 5/8"	43"	45 3/4"	22 5/8"	24 1/8"	26 3/4"	20 13/16"	21 1/2"	22 7/8"	43 7/16"	45 5/8"	49 3/8"
24"	17"	46 1/4"	47 1/2"	50 3/4"	25 1/8"	26 5/8"	29 3/4"	23 1/8"	23 3/4"	25 3/8"	48 1/4"	50 3/8"	54 7/8"

DIMENSIONS SHOWN ARE (REFERENCE DIMENSIONS) FOR ESTIMATING PURPOSES ONLY.

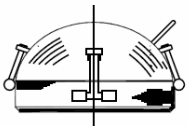
ACTUAL DIMENSIONS WILL BE PROVIDED ON "AS-BUILT" DRAWINGS, AVAILABLE WITH ORDER.

THE DIMENSIONS ABOVE ARE ONLY APPLICABLE WITH RAISED FACE WELD NECK (RFWN) FLANGES.

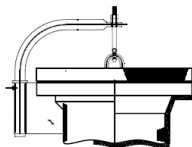
DIMENSIONS 'C' AND 'E' INCLUDES 1/8" THK GASKET THICKNESS AND 1/8" WELD CAP.

LARGER SIZES AND HIGHER ANSI RATINGS ARE ALSO AVAILABLE.

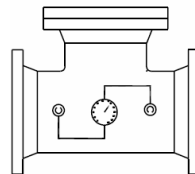
STRAINER OPTIONS



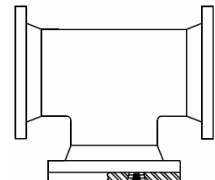
T-BOLT CLOSURE



DAVIT FOR BLIND FLANGE



DIFFERENTIAL PRESSURE CONNECTIONS



BLOW DOWN CONNECTION

- Custom options available upon request.